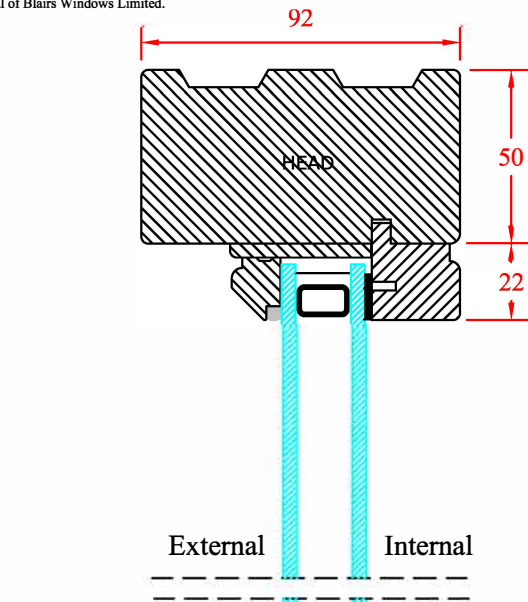


Blairs Windows Limited  
 9 Baker Street, Greenock  
 PA15 4TU  
 Tel: 01475 721 256,  
 Fax: 01475 729 313

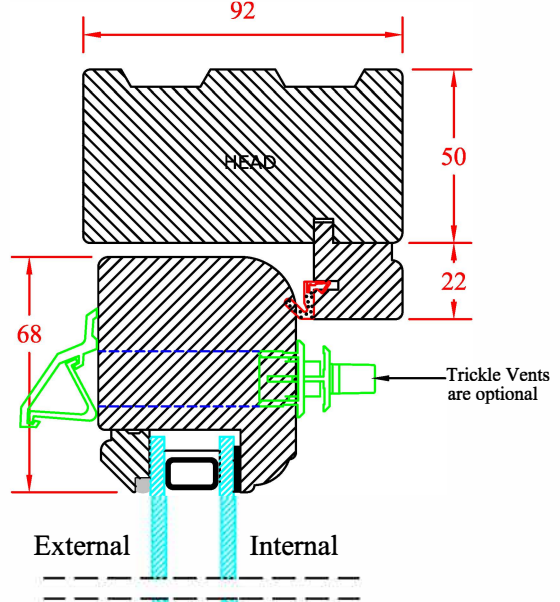
# Inward Opening Door Set Transom Options



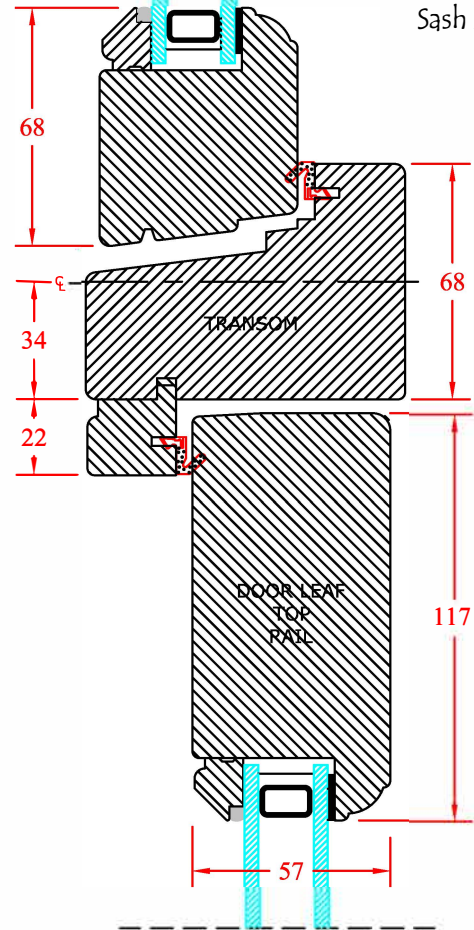
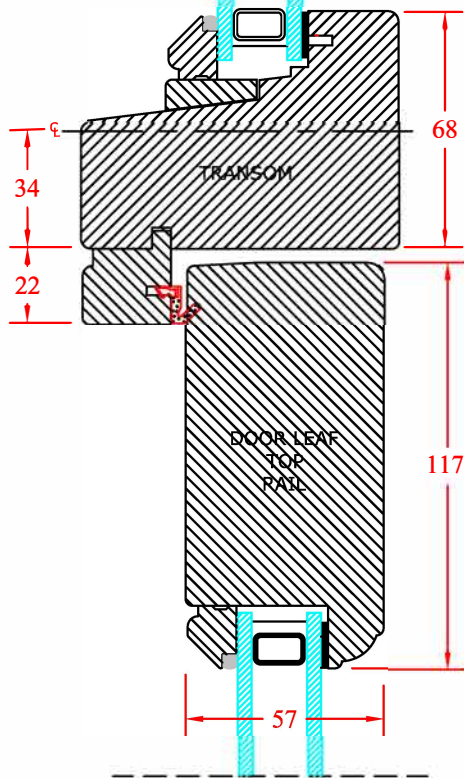
Please note that these drawings are protected by copyright and the designs are the ownership of Blairs Windows Limited. No copying or reproduction of these drawings is permitted without the prior approval of Blairs Windows Limited.



Deadlight Above



Fixed or Opening Sash Above



Drawing No: **BWSD-1543**  
 Date: 21:12:15