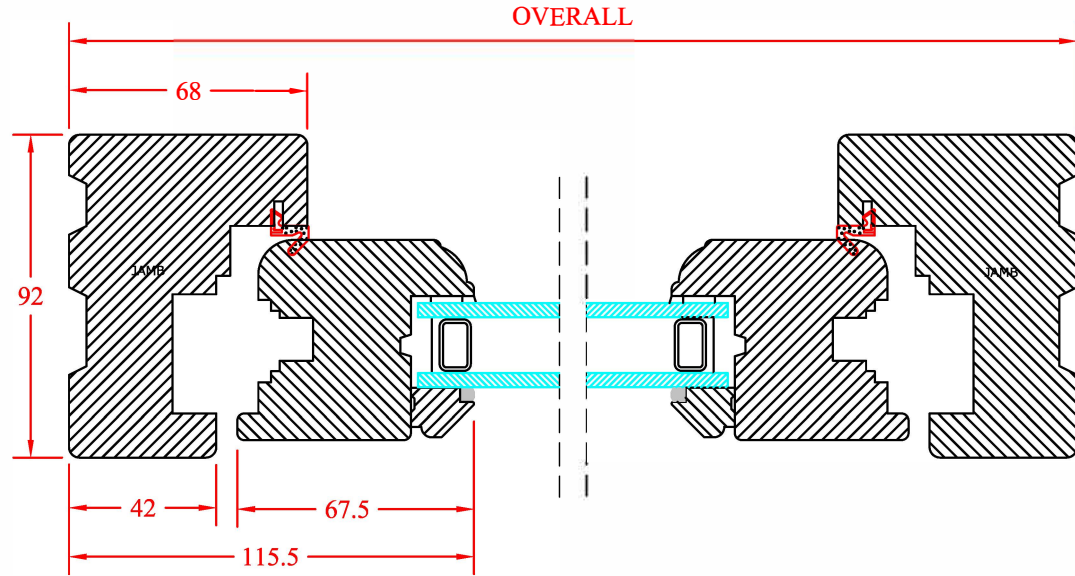


Blairs Windows Limited
9 Baker Street, Greenock
PA15 4TU
Tel: 01475 721 256,
Fax: 01475 729 313



Please note that these drawings are protected by copyright and the designs are the ownership of Blairs Windows Limited. No copying or reproduction of these drawings is permitted without the prior approval of Blairs Windows Limited.

Enhanced Casement Side Hung



Detail On Plan

