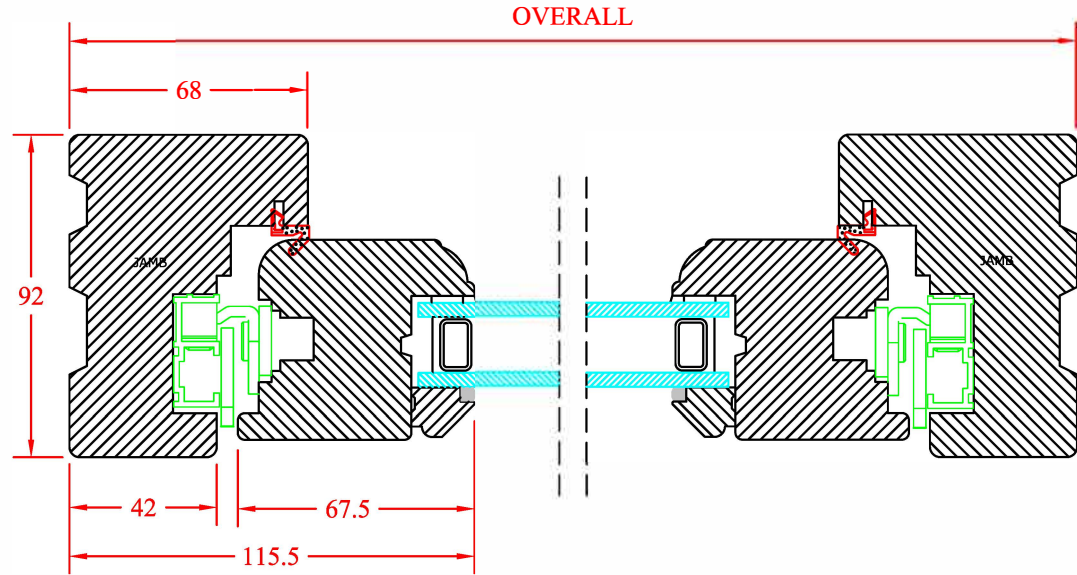


Blairs Windows Limited  
9 Baker Street, Greenock  
PA15 4TU  
Tel: 01475 721 256,  
Fax: 01475 729 313

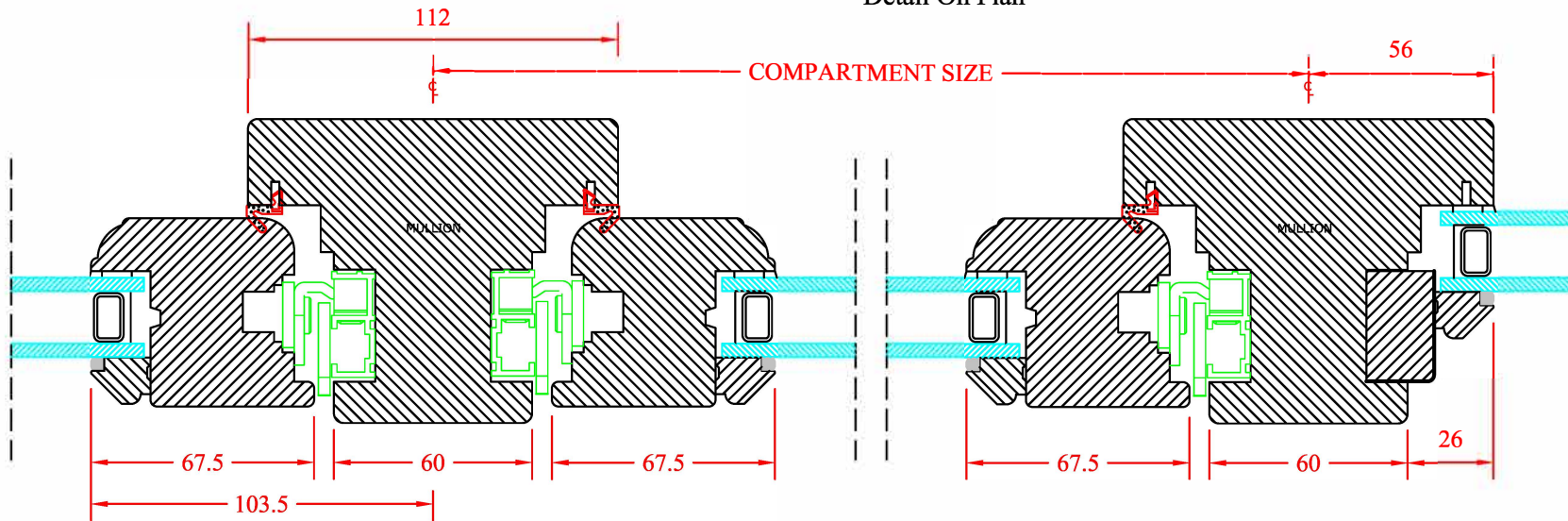


Please note that these drawings are protected by copyright and the designs are the ownership of Blairs Windows Limited. No copying or reproduction of these drawings is permitted without the prior approval of Blairs Windows Limited.

# Enhanced Casement Top Swing / Top Hung



Detail On Plan



Drawing No:  
**BWSD-1520**  
Date  
20:10:15